

ccEuroTeach

User

Manual



This document is the private unpublished property of Money Controls Ltd and may not be reproduced in part or in total by any means, electronic or otherwise, without the written permission of Money Controls Ltd. Money Controls Ltd does not accept liability for any errors or omissions contained within this document. Money Controls Ltd shall not incur any penalties arising out of the adherence to, interpretation of, or reliance on, this standard. Money Controls Ltd will provide full support for this product when used as described within this document. Use in applications not covered or outside the scope of this document may not be supported. Money Controls Ltd. reserves the right to amend, improve or change the product referred to within this document or the document itself at any time.

Contents

1.	Diary of Changes	5
2.	Introduction	6
3.	Contents	6
4.	ccEuroTeach connections	7
4.1	PC RS232 Serial.....	7
4.2	Power Supply.....	7
4.3	Push Button	7
4.4	Status LED.....	8
4.5	ccTalk [®] In	8
4.6	ccTalk [®] Out.....	8
5.	Typical Connections (Programming ccEuroTeach)	9
5.1	'Boxer' coin specification download	9
6.	ccEuroTeach (Boxer) Software Installation	10
Boxer Instructions		11
7.1	Load a Coin Specification.....	11
7.2	Create an Order	12
7.3	Programming ccEuroTeach	13
7.4	Copying a New Euro Currency Specification	14
8.	Boxer Menu Options and Buttons	15
8.1	Options / Setup.....	15
8.2	Help / Instructions	15
8.3	Help / Error Pulse Table	15
8.4	Currency '?'.....	15
8.5	Swap - No effect using ccEuroTeach.....	15
8.6	Erase Lower - No effect using ccEuroTeach.....	15
8.7	Erase Upper - No effect using ccEuroTeach.....	15
8.8	Load	15
8.9	Save	15
8.10	Save As	16
8.11	Test.....	16
8.12	Transfer.....	16
9.	Coin Specification File	17
9.1	Product	17
9.2	Variant.....	17
9.3	Currency.....	17
9.4	Issue	17
9.5	Coins	17
9.6	Customer.....	18
9.7	File Type.....	18
9.8	Size.....	18
10.	Coin Specification Header	18
11.	Coin Specification Programming Errors	19
12.	Generate a Macro	20
12.1	Creating a new Macro.....	21
12.2	Product	21
12.3	Sorter paths (SR5 and BDTA).....	21
12.4	Flags	21
12.5	Credit Watchdog	22
12.6	Save/Load.....	22
12.7	Create Macro:.....	23
12.8	Load a previously created Macro	24
12.9	Transfer:.....	24
13.	Programming Connections (stand alone mode)	25
13.1	SR3 in a parallel machine	25
13.2	SR3 in a serial machine.....	26
13.3	SR5 in a parallel machine	27
13.4	SR5 in a serial machine.....	28
14.	Programming Connections (Network Mode)	29
15.	LED Display	30
15.1	Power On / Standby.....	30

CONFIDENTIAL

Not to be disclosed without prior written permission from Money Controls

15.2 Operating30
15.3 Error Condition Detected30
15.4 Error Code30
15.5 Last Operation Failed.....30

Table

Table 1: Error Pulse Table31

Figures

Figure 1: **ccEuroTeach** connector layout 7
Figure 2: 'Boxer' connections..... 9
Figure 3: Setup Options 10
Figure 4: COMMS Setup..... 10
Figure 5: **ccEuroTeach** Directory Structure e.g. SR5 – Front Plate Acceptor..... 14
Figure 6: Generate Macros 20
Figure 7: Macro Generator window 21
Figure 8: Save Macro Source..... 22
Figure 9: Macro Transfer..... 23
Figure 10: Select Custom Macro..... 24
Figure 11: SR3 parallel mode connections..... 25
Figure 12: SR3 serial mode connections 26
Figure 13: SR5 parallel mode connections..... 27
Figure 14: SR5 serial mode connections 28

1. Diary of Changes

- Issue 1.0.....April 2002
- Issue 1.1.....6th Sept 2002
 - Modification to disclaimer.
- Issue 1.2.....7th Mar 2003
 - Ability to download Macros to the **ccEuroTeach** module.
 - Ability for the customer to generate his/her own simple macros.
 - Now compatible with windows OS – 95, 98, 2000, NT, ME, and XP.

2. Introduction

ccEuroTeach is a support tool for the SR3 (Type 1 & Type 2), SR5 and SR5-BDTA coin acceptors. It allows updated Euro coin specifications to be programmed into the same coin windows. This is done by reading calibration data out of the acceptor, performing highly accurate, neural network calculations and sending the new coin data back into the acceptor.

There are two main operating modes - **Stand Alone** mode and **Network** mode. In Stand Alone mode, the **ccEuroTeach** is plugged directly into the acceptor and a button pressed to initiate coin programming. In Network mode, the **ccEuroTeach** acts as a slave device only and hangs off the **ccTalk**[®] bus.

In **Stand Alone** mode, an engineer makes a site visit to each machine to perform a specification update. In Network mode, it is possible to remotely program hundreds of connected acceptors by interrogating each one in turn and processing the information via the **ccEuroTeach** peripheral.

Euro Coins can be sent to **ccEuroTeach** for storage in flash memory using PC-based software 'Boxer'.

3. Contents

- 1 x **ccEuroTeach**.
- 1 x 9 pin male to 9 pin female RS232 lead.
- 1 x **ccEuroTeach** to SR3 loom.
- 1 x **ccEuroTeach** to SR5 loom.
- 1 x **ccEuroTeach** Power loom.
- 1 x **ccEuroTeach** CD.

4. ccEuroTeach connections

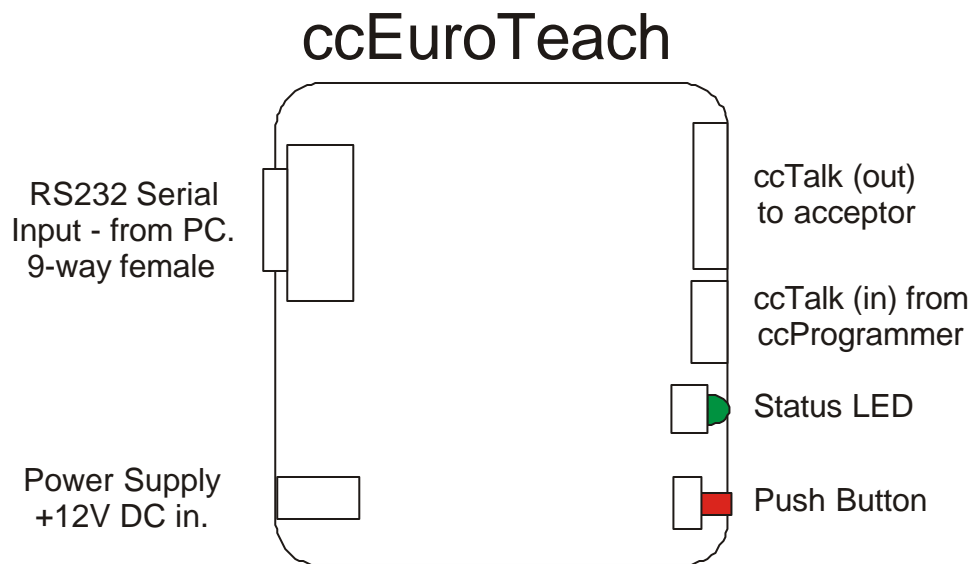


Figure 1: **ccEuroTeach** connector layout.

4.1 PC RS232 Serial

The **ccEuroTeach** has a 9-way female D-type serial connector to connect directly to a PC or laptop with a serial 'modem-type' lead. This connection should be used for the 'Boxer' program to download data to the **ccEuroTeach**.

4.2 Power Supply

When the **ccEuroTeach** is being used in the field, the acceptor would power the **ccEuroTeach** from the machine. However during programming of the **ccEuroTeach**, this needs to be connected to a +12V DC (1A) regulated power supply. The centre pin is +12V. (MAX 24V).

4.3 Push Button

Push this button once to initiate an acceptor reprogramming operation.

4.4 Status LED

When power is applied, this LED should be lit continuously. When the button is pressed the LED will blink slowly as reprogramming is underway and then stay lit if the operation is successful. If an error occurs then the LED will blink at a faster rate followed by 2 pulse codes indicating the type of error. The LED stays off after an error has occurred.

4.5 ccTalk[®] In

This allows a **ccTalk[®]** bus master to be connected to the **ccEuroTeach**.

4.6 ccTalk[®] Out

The coin acceptor to be reprogrammed is connected through this port with a suitable product lead (supplied with **ccEuroTeach**).

5. Typical Connections (Programming ccEuroTeach)

5.1 'Boxer' coin specification download

Connect a +12V DC regulated power supply to the +12V DC Power Supply connector.

Connect a PC or laptop, via a serial Comm port, with the Boxer software installed to the **PC RS232 Serial connector (9 pin)**.

Operate 'Boxer' according to instructions.

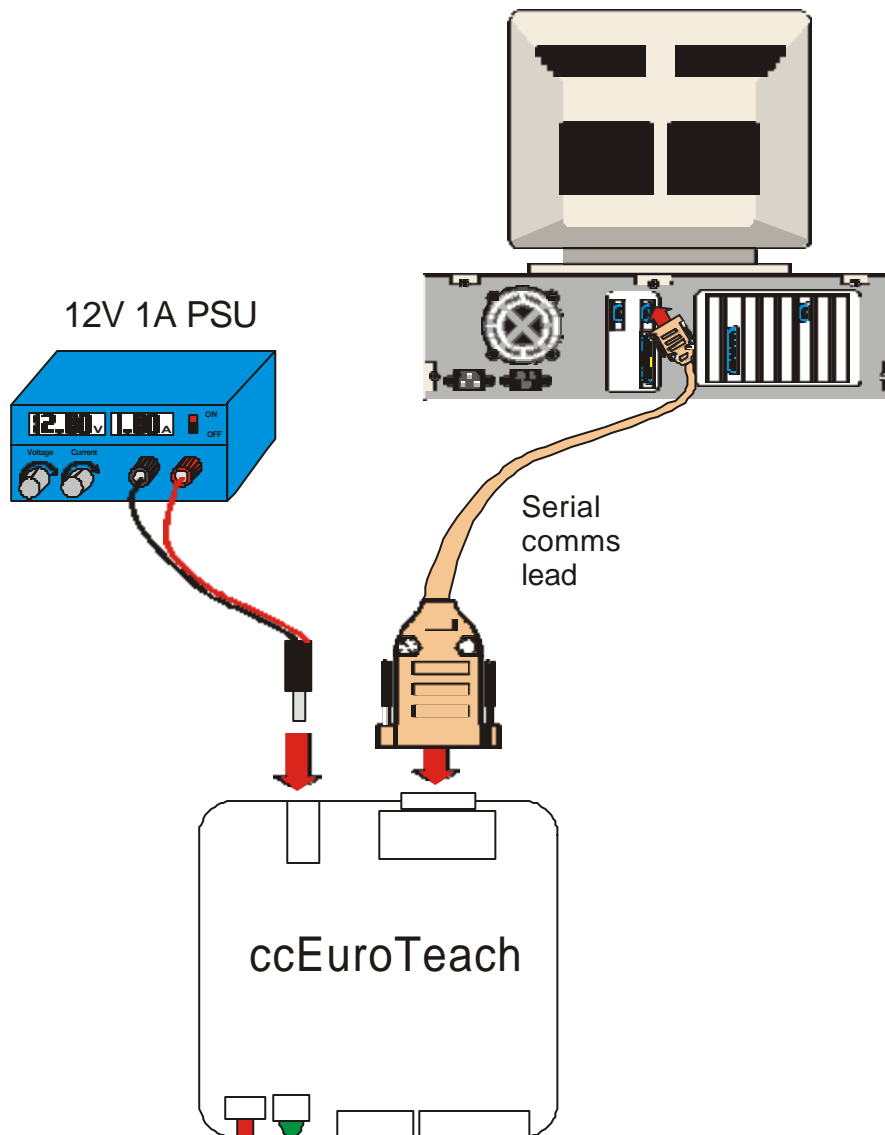


Figure 2: 'Boxer' connections.

6. ccEuroTeach (Boxer) Software Installation

Insert the CD into the CD ROM drive.
From the Start Menu select Run and enter D:\Setup.
Follow the instructions on the screen.

The software can now be run from <Start> - <Programs> - <Boxer>.

Note: - Before starting to program check that the correct COM port has been selected.

Select <Options> - <Setup> (see Figure 3).

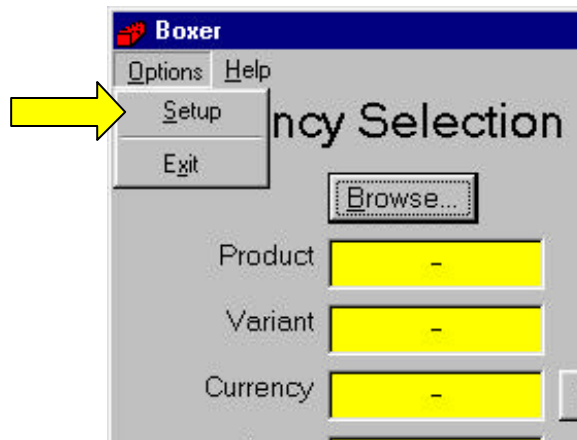


Figure 3: Setup Options.

Select the desired COM port (see Figure 4).

Note: - qualified personnel should only change the destination address.

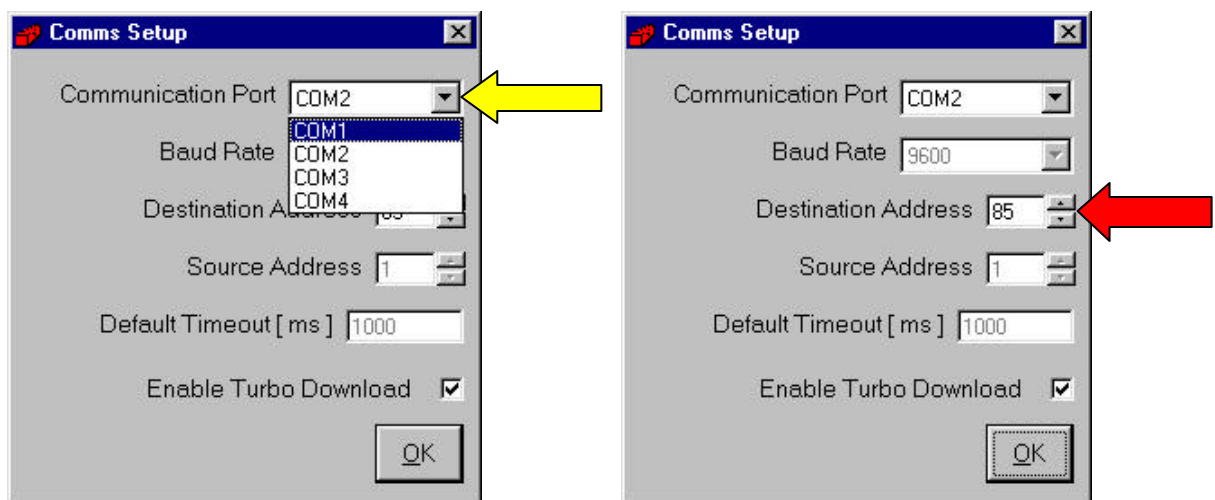


Figure 4: COMMS Setup.

7. Boxer Instructions

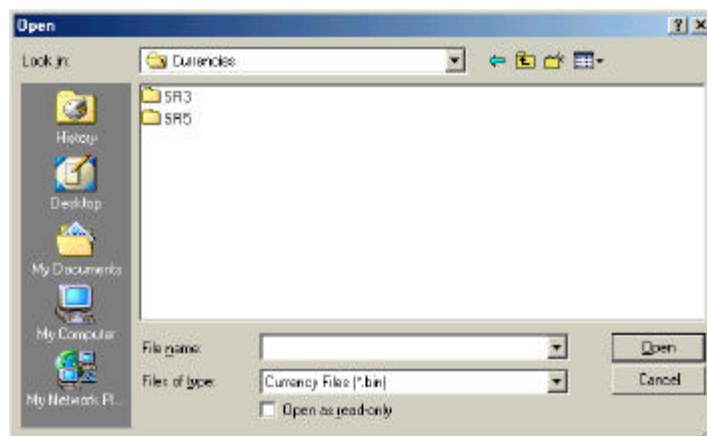


7.1 Load a Coin Specification

Load a Euro coin specification using the 'Browse...' button.

Select the product type (SR3 or SR5) and then select the desired build (FRT or STD).

There may be an additional 'database' directory e.g. Db-001. Contact Money Controls if you are unsure which database to use.



Note: - A Front Plate - FRT coin specification CANNOT be loaded into a Standard - STD (Top Entry) acceptor.

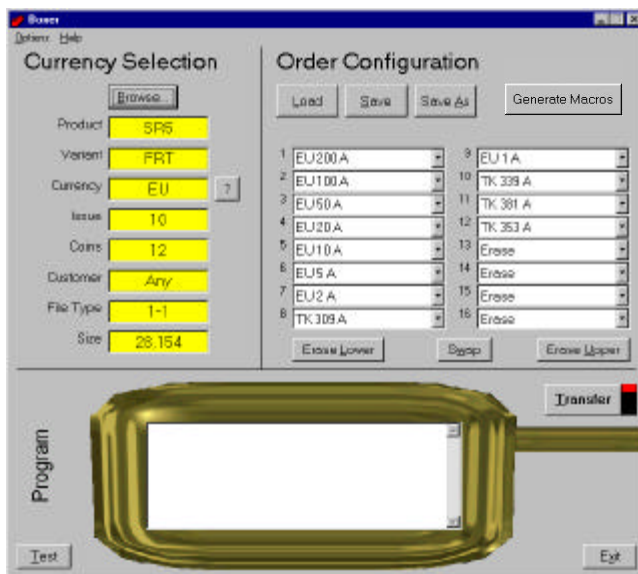
CONFIDENTIAL

Not to be disclosed without prior written permission from Money Controls

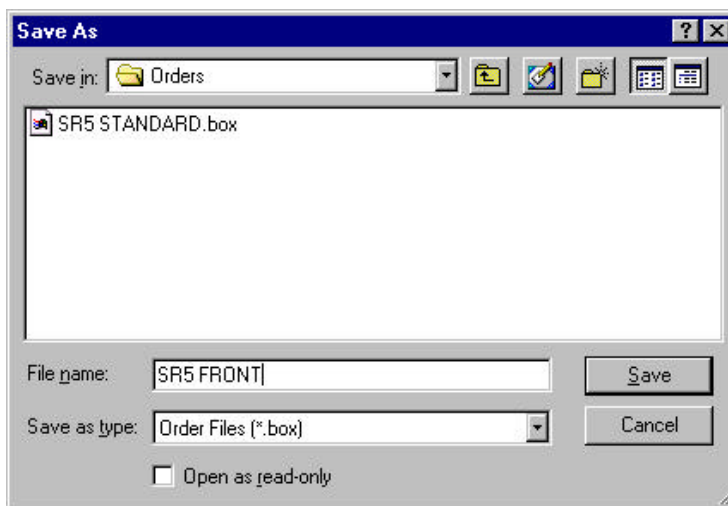
Page 11 of 26

7.2 Create an Order

An 'order' is simply a file that holds information regarding the Mech type and the build. It is not necessary to alter the positions of the coins visible on the screen.



Once the mech type and build have been selected press **Save As**.



Type a meaningful name and press **Save**.

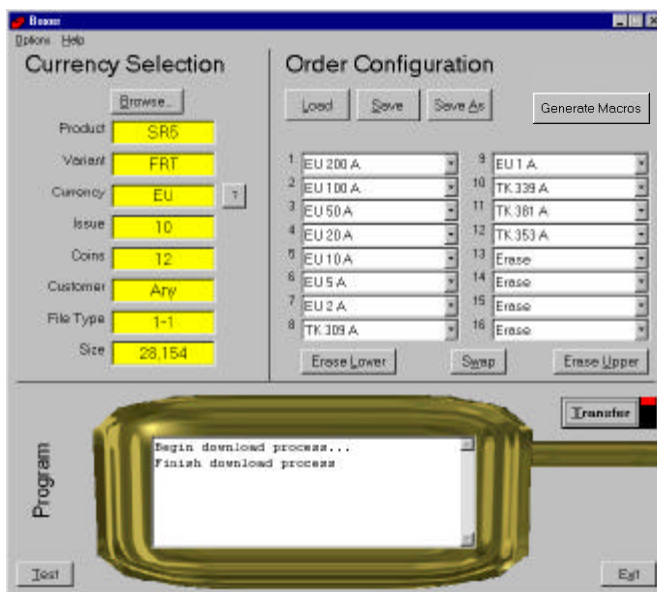
The Order can now be opened with the **Load** button next time it is needed.

7.3 Programming ccEuroTeach

Press the 'Transfer' button with a powered **ccEuroTeach** attached.



The transfer 'indicator' turns Green and a status bar appears under the 'Load', 'Save' and 'Save As' buttons. The 'Monitor' at the bottom of the screen will display a status message.



When the "Finish download process" appears the **ccEuroTeach** has been programmed and is ready for use in the field.

7.4 Copying a New Euro Currency Specification

A new Euro coin specification can be sent either on CD or via e-mail.
The Euro coin specification should be copied to the relevant directory as shown below.

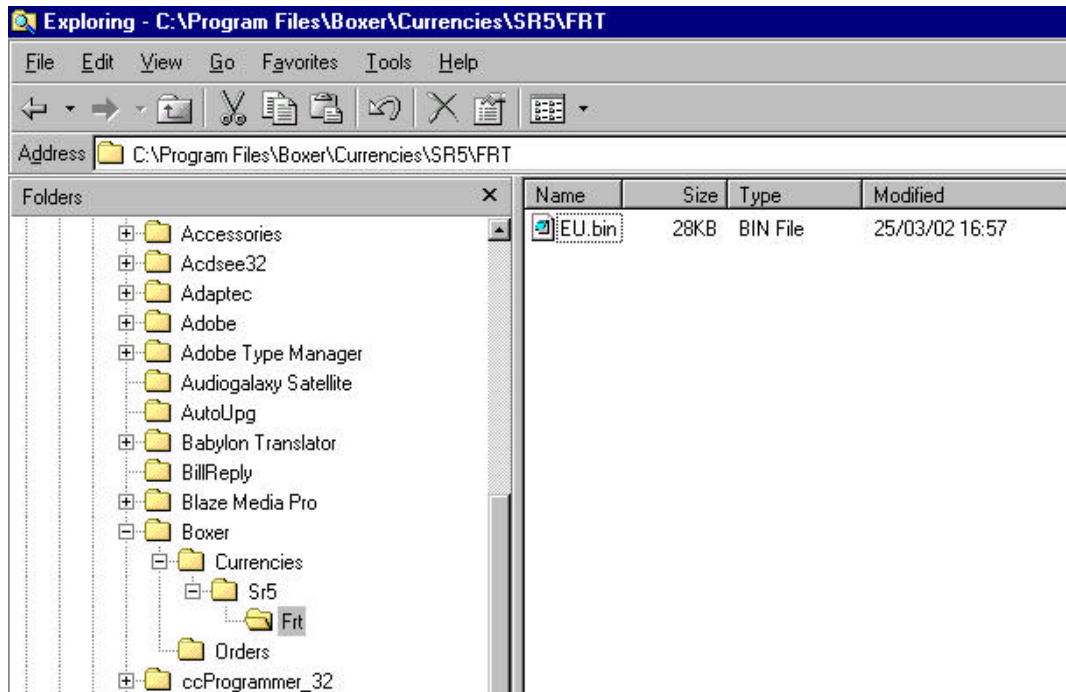


Figure 5: **ccEuroTeach** Directory Structure e.g. SR5 – Front Plate Acceptor.

8. Boxer Menu Options and Buttons

8.1 Options / Setup

Make sure the communication port is set to the one your **ccEuroTeach** is plugged into - usually COM1 or COM2.

The destination address is 85 by default and the 'Enable Turbo Download' option is checked to allow faster coin specification transfer. If you are experiencing communication errors you may wish to uncheck the option and try again. Note that this only affects the PC to **ccEuroTeach** serial link as the **ccEuroTeach** to coin acceptor link always runs at 9600 baud.

8.2 Help / Instructions

A text box appears providing general program help and details of where the various file formats are stored on your PC.

8.3 Help / Error Pulse Table

This is a handy guide to the Stand Alone error pulse codes that may appear (see Table 1: Error Pulse Table on page 31).

8.4 Currency '?'

This button decodes the ISO 3166-1 currency code according to the latest information available. This information is held in the file 'countryKey.csv' in the same directory as the application. It is in comma-delimited format and may be viewed with Microsoft Excel.

8.5 Swap - No effect using ccEuroTeach

Swaps the lower bank of coins (1 to 6 or 1 to 8) with the upper bank of coins (7 to 12 or 9 to 16).

8.6 Erase Lower - No effect using ccEuroTeach

Sets the lower bank of coins (1 to 6 or 1 to 8) to 'Erase'. These coins are only cleared after the 'Transfer' button is pressed.

8.7 Erase Upper - No effect using ccEuroTeach

Sets the upper bank of coins (7 to 12 or 9 to 16) to 'Erase'. These coins are only cleared after the 'Transfer' button is pressed.

8.8 Load

Loads an order file from disk (*.box extension).

8.9 Save

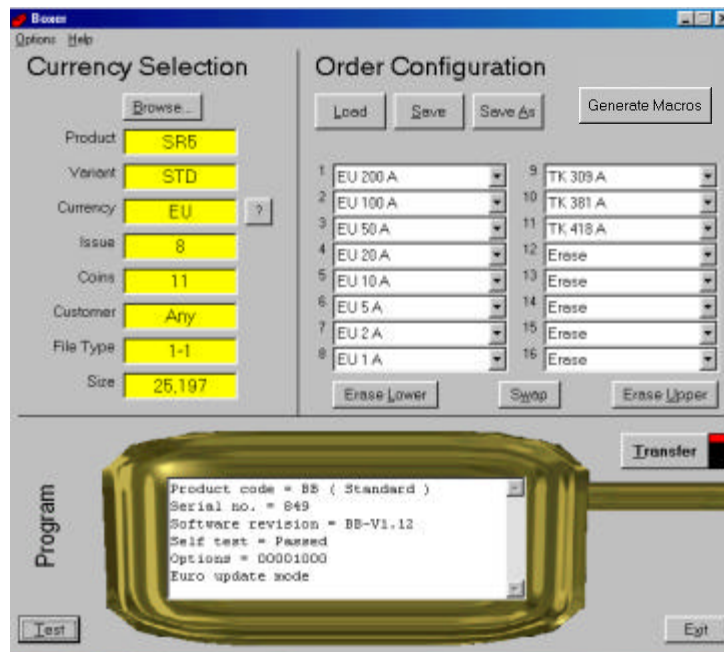
Saves the current order configuration to disk.

8.10 Save As

Saves the current order configuration to disk with the specified filename.

8.11 Test

Checks that the serial interface with the **ccEuroTeach** is operating correctly and reads some status information from the **ccEuroTeach** configuration memory.



Each **ccEuroTeach** has a unique serial number for trace-ability. There is also an options register displayed in binary format. The standard configuration is 00001000.

8.12 Transfer

No changes are made to **ccEuroTeach** until the 'Transfer' button is pressed. A progress bar will then appear to show how long it will take.

Do not unplug ccEuroTeach or remove power until the operation is completed in full (the Transfer indicator on Boxer reverts to red).

9. Coin Specification File

These have a *.bin extension and contain all the information necessary for reprogramming the coin acceptor. Coin specifications for **ccEuroTeach** can typically contain up to 20 coins for a dual currency specification and be anywhere from 10 Kbytes to 50 Kbytes in length.

Money Controls may choose to distribute coin specification files by email or via the company Web site. Contact Customer Services for the latest information.

The following fields are displayed by the 'Boxer' program...

9.1 Product

Each coin specification is generated for a specific product.

SR5-type specs can be used on SR5 and BDTA.

SR3-type specs can be used on SR3 Type 1 and SR3 Type 2.

9.2 Variant

Each coin specification is generated for a specific variant (or build).

The common variants are...

STD - standard or top entry acceptor.

FRT - front entry acceptor.

9.3 Currency

The currency code is shown in this panel.

EU - single currency, Euro.

.

9.4 Issue

Each released coin specification from Money Controls has an associated issue number. Try to ensure you always program the highest issue number available so that the latest fraud coins are dealt with effectively.

9.5 Coins

Each coin specification has a set of coins that has been qualified to coexist in the same coin acceptor. There is no option to change the order of these coins programmed into the acceptor. The ccEuroTeach will only reprogram the Euro coins previously programmed into the coin validators.

9.6 Customer

A coin specification can be tied to a particular customer number stored in the **ccEuroTeach** but this feature is usually disabled. In which case the customer number will be set to 'Any'.

9.7 File Type

File types 1 and 2 are recognised. The file type designator has a sub-type e.g. 1-1 and the number after the hyphen is the 'database number' of the coin acceptor.

9.8 Size

The size in bytes of the coin specification binary file. This is the amount of information that is transferred serially into **ccEuroTeach**. The bigger the file, the longer it takes.

10. Coin Specification Header

The first section of the binary coin specification file is ASCII text and may be viewed in a text editor or on a DOS screen.

```
E.g.  
C:\TEMP>type EU.bin  
©Money Controls SR5      STD      00007  
C:\TEMP>
```

The fields shown are...

[Money Controls] x 17 chars

[Product] x 8 chars

[Variant] x 8 chars

[Issue] x 5 chars

This provides a quick check of the specification without the need for programming software.

11. Coin Specification Programming Errors

For a successful programming operation, the following conditions must be satisfied.

- The coin acceptor supports calibration (some of the earlier models were marked 'factory program' only).
- The coin specification is for the correct product.
- The coin specification is for the correct variant.
- The coin specification is for the correct database version.

If any of these conditions are not met then **ccEuroTeach** will output the corresponding error code and fail to program the coin acceptor. Contact Money Controls Technical Services Department with the above information and we can arrange for the correct coin specification to be sent out to you.

12. Generate a Macro

To generate a macro select the Generate Macro button and enter the Macro Generator screen.



Figure 6: Generate Macros

12.1 Creating a new Macro

Below is an example of the Generator window which can be seen if a Macro for an SR5 is to be created.

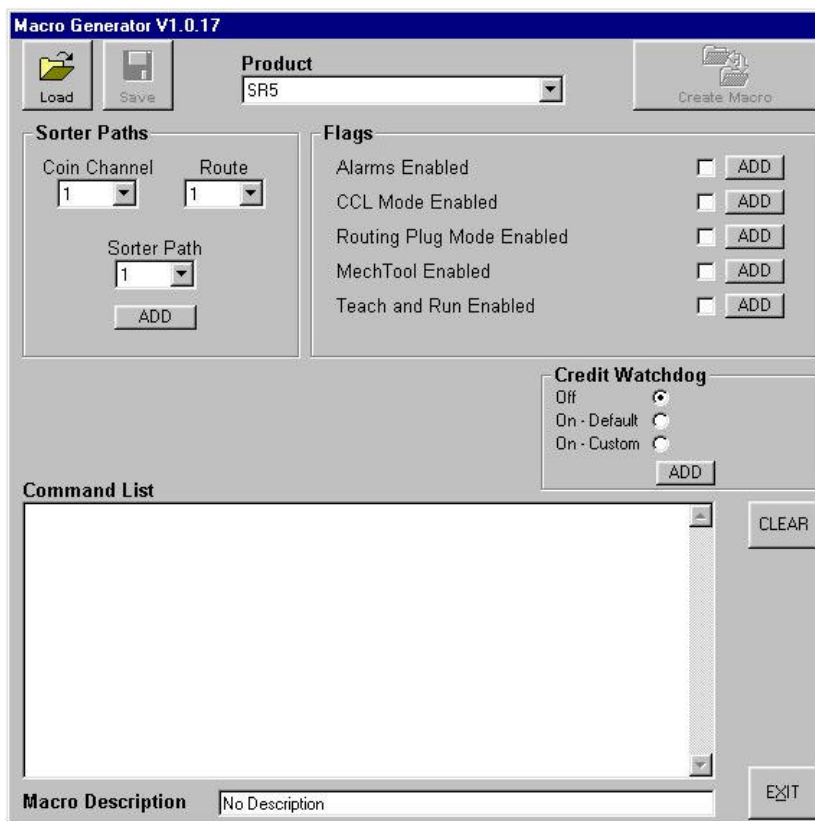


Figure 7: Macro Generator window

12.2 Product

Select the required product from the pull down menu. (The various options change with each product).

12.3 Sorter paths (SR5 and BDTA)

Choose the Coin Channel and the one of the 4 possible Routes to be sorted, then select the sorter path you wish the coin to follow.

Select ADD and this macro will be added to the Command List.

12.4 Flags

To enable a flag tick the box next to it and then select ADD to insert into the Command List.

To disable a flag, leave the box empty (no tick) and select ADD to insert into the Command List.

12.5 Credit Watchdog

Select the required option and select ADD to insert into the Command List.

Once you have all the relevant commands you require inserted into the Command List enter a suitable description in the Macro Description box at the bottom of the screen.

12.6 Save/Load

Save your new macro using the save option, which is now available at the top left of the screen. This will save the source file, which can later be loaded to enable the alteration of any of the commands.

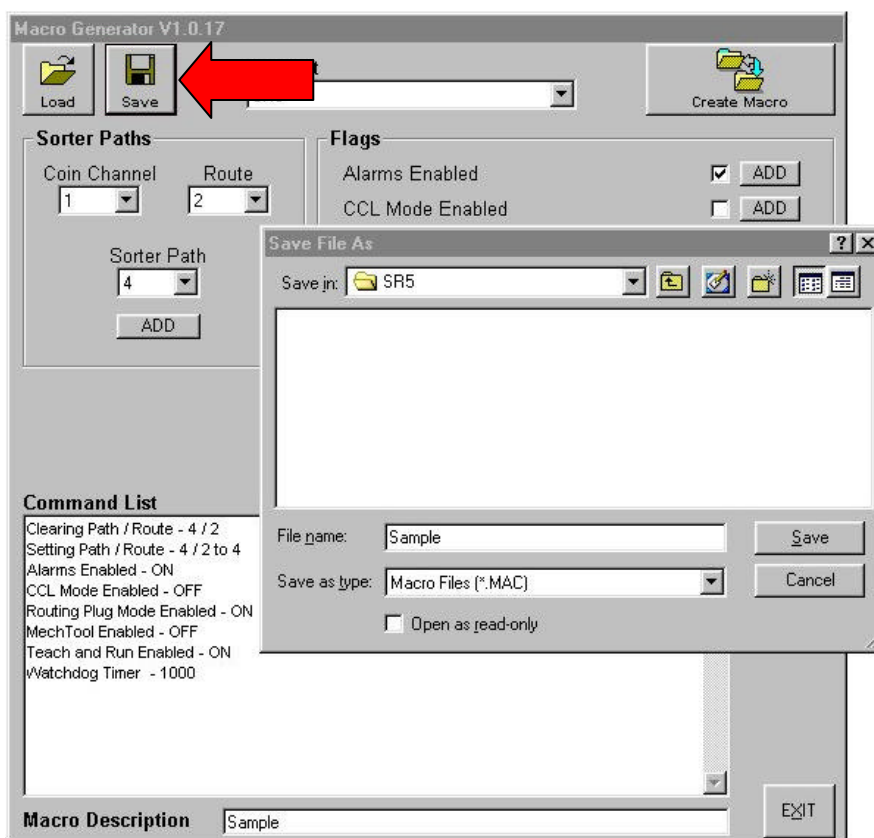


Figure 8: Save Macro Source

12.7 Create Macro:

Once a source file has been created select the Create Macro option at the top right of the screen and the macro will be created and automatically saved into:

'C:\Program Files\Boxer\CustomMacros\ccEuroTeach*(Desired Product)*'

Once the Macro has been created you will return to the Boxer window where you can see MACRO written in the currency window. This signifies that the Macro is ready to be uploaded to the ccEuroTeach pod.



Figure 9: Macro Transfer

12.8 Load a previously created Macro

To use a Macro, which has been previously saved, select 'browse' under currency selection and then go to:

Program files/Boxer/CustomMacros/ccEuroTeach/(Desired Product).

Select the Custom Macro, which you require, and then select 'Open'.

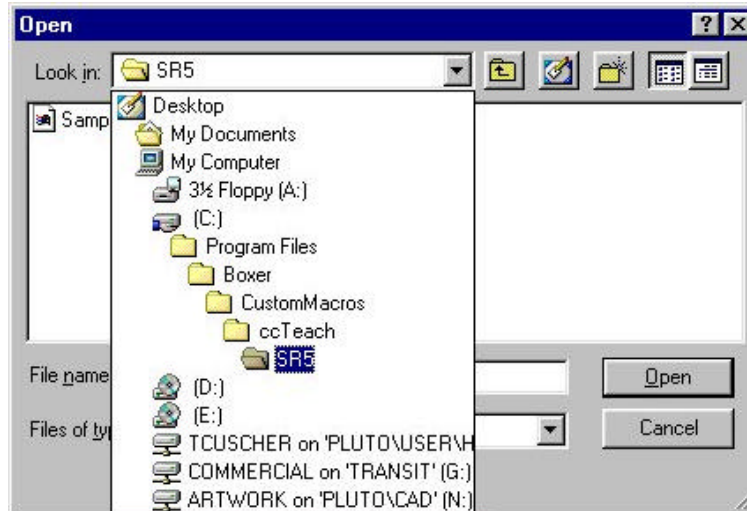


Figure 10: Select Custom Macro

12.9 Transfer:

No changes are made to **ccEuroTeach** until the 'Transfer' button is pressed. A progress bar will then appear to show how long it will take.

Do not unplug ccEuroTeach or remove power until the operation is completed in full (the Transfer indicator on Boxer reverts to red).

13. Programming Connections (stand alone mode)

13.1 SR3 in a parallel machine

Assuming the SR3 is powered through the parallel connector.

Connect the SR3 product lead between the SR3 serial connector (4 pin) and the **ccEuroTeach ccTalk[®] Out (6 pin)**.

Press the push button once to start programming and wait for the LED to stop flashing.

Note: - If the SR3 is not powered up in the machine then an external +12V DC (max +24V DC) needs applying to the ccTalk[®].

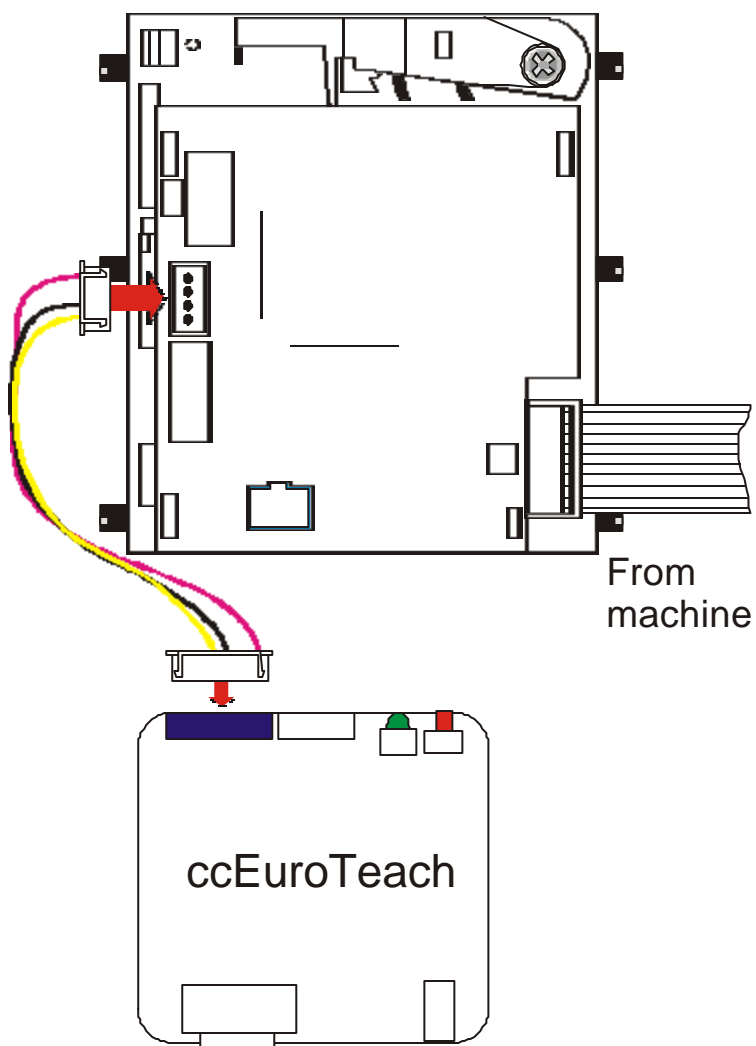


Figure 11: SR3 parallel mode connections.

13.2 SR3 in a serial machine

Assuming the SR3 is powered through the serial connector.

Remove the **ccTalk[®]** cable from the SR3 and plug it into the **ccEuroTeach ccTalk[®] In (4 pin)**. Connect the SR3 product lead between the SR3 serial connector (4 pin) and the **ccEuroTeach ccTalk[®] Out (6 pin)**.

Press the push button once to start and wait for the LED to stop flashing.

Note: - If the SR3 is not powered up in the machine then an external +12V DC (max +24V DC) needs applying to the ccTalk[®].

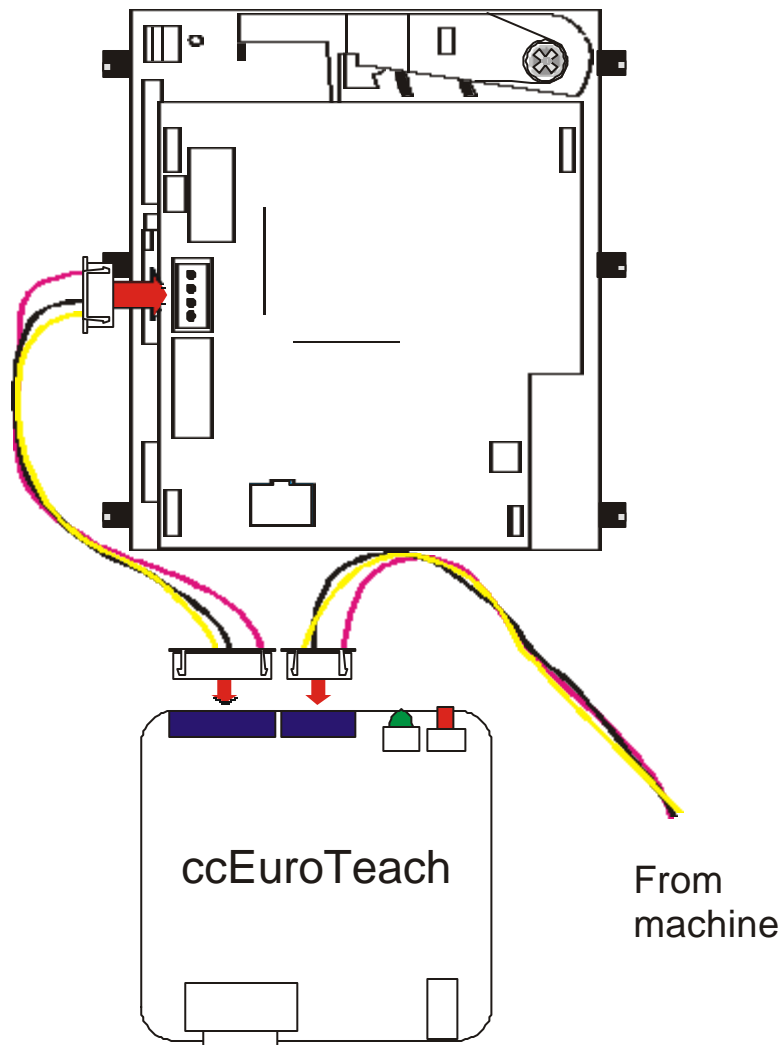


Figure 12: SR3 serial mode connections.

13.3 SR5 in a parallel machine

Assume the SR5 is powered through the parallel connector.

Connect the SR5 **ccEuroTeach** product lead between the SR5 serial connector (10 pin) and the **ccEuroTeach ccTalk[®] Out (6 pin)**.

Press the push button once to start and wait for the LED to stop flashing.

Note: - If the SR5 is not powered up in the machine then an external +12V DC (max +24V DC) needs applying to the ccTalk[®].

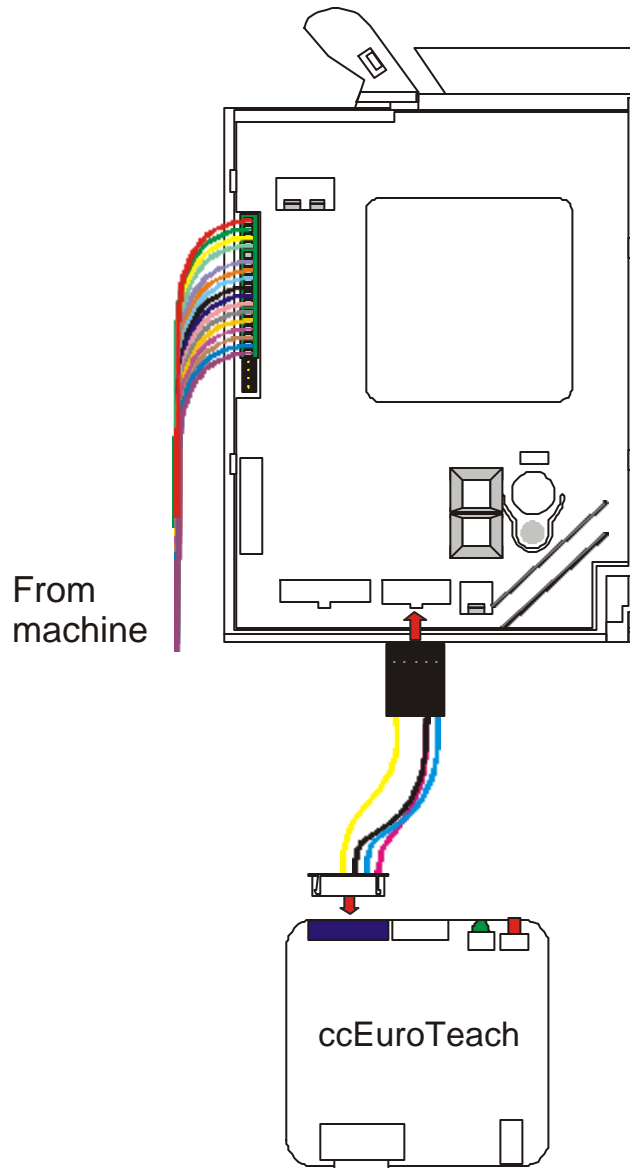


Figure 13: SR5 parallel mode connections.

13.4 SR5 in a serial machine

Assuming the SR5 is powered through the serial connector.

Remove the **ccTalk[®]** cable from the SR5 and plug it into the **ccEuroTeach ccTalk[®] In (4 pin)** using a **cable converter** (contact Money Controls Technical Services Department for details). Connect the SR5 **ccEuroTeach** product lead between the SR5 serial connector (10 pin) and the **ccEuroTeach ccTalk[®] Out (6 pin)**.

Press the push button once to start and wait for the LED to stop flashing.

Note: - If the SR5 is not powered up in the machine then an external +12V DC (max +24V DC) needs applying to the ccTalk[®].

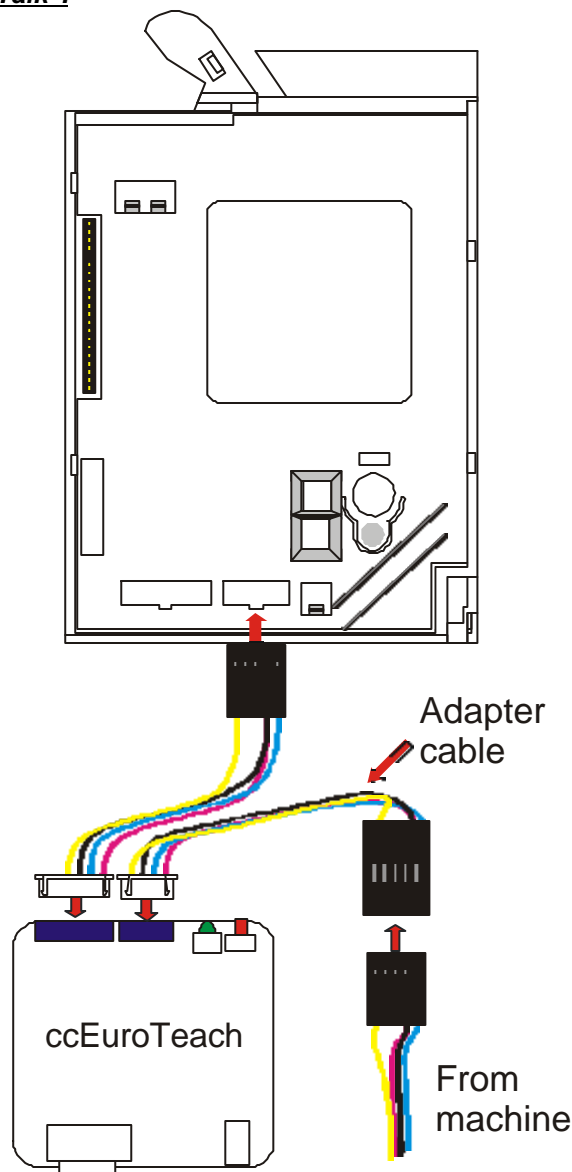


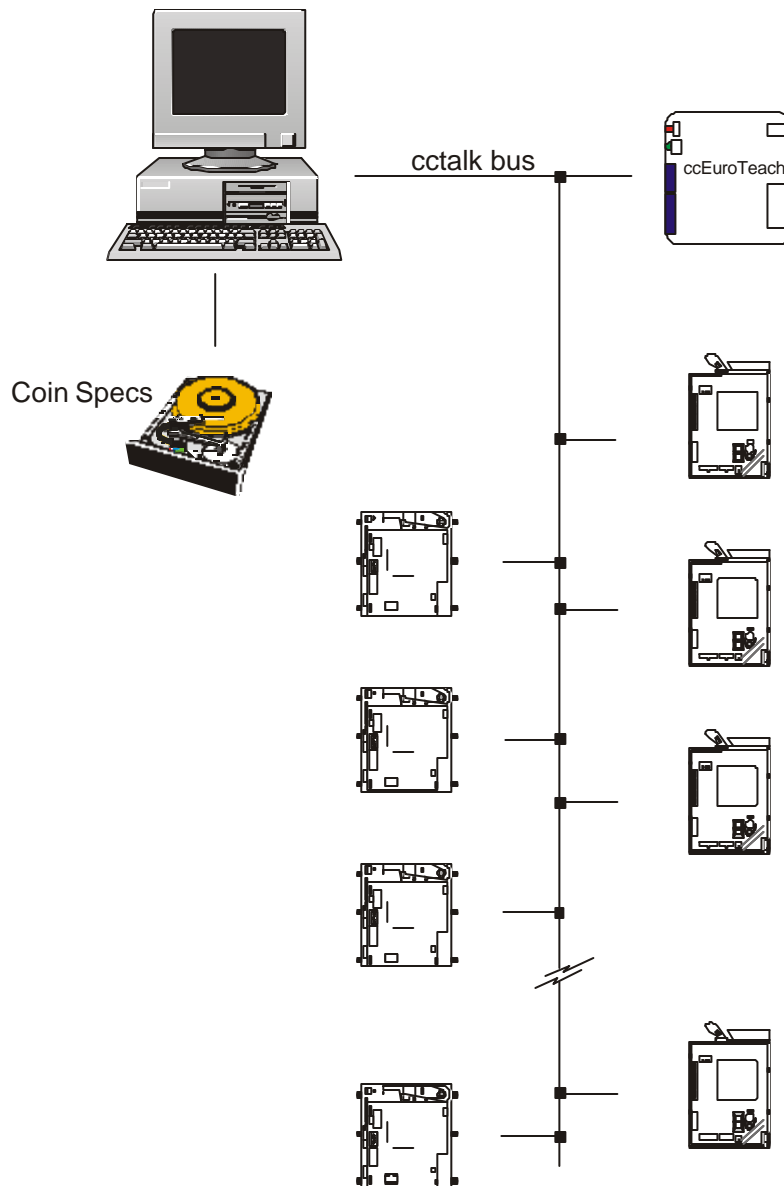
Figure 14: SR5 serial mode connections.

14. Programming Connections (Network Mode)

Connect the **ccTalk**[®] bus to the **ccEuroTeach ccTalk**[®] In (4 pin).

The **ccTalk**[®] bus will supply power and allow commands to be sent to the **ccEuroTeach**. The coin acceptor can exist elsewhere on the **ccTalk**[®] bus at a different address or be on a separate bus thousands of miles way. The mechanism for transferring **ccTalk**[®] packet information between remote devices is not discussed here but it is not restricted in any way by the operation of **ccEuroTeach**.

Note: - Although the ccEuroTeach is connected to the network, the ccEuroTeach is not designed to program more than ONE acceptor at a time.



15. LED Display

15.1 Power On / Standby

LED on continuously.

15.2 Operating

Slow pulse sequence - 500ms on / 500ms off.

15.3 Error Condition Detected

Fast pulse sequence - 150ms on / 150ms off for 10 pulses.

15.4 Error Code

After the fast pulse sequence there is a 2 second gap followed by 'Code A' number of pulses, followed by a 1 second gap and 'Code B' number of pulses. The pulses are 300ms in duration. The Code A / Code B numbers reveal the type of error as given in Table 1: Error Pulse Table on page 31).

15.5 Last Operation Failed

LED off.

To recover from this condition and try again, cycle the power off and back on again to **ccEuroTeach**. The LED is always left on after a successful programming operation.

Table 1: Error Pulse Table

Code A	Code B	Description
1	1	No response from coin acceptor to simple poll
1	2	Packet length error
1	3	File verification error type 1
1	4	File verification error type 2
1	5	Access denied type 1
1	6	Access denied type 2
2	1	Acceptor does not support calibration
2	2	Unsupported file format
2	3	Non-matching product name
2	4	Non-matching variant name
2	5	Non-matching database version
3	1	Failed to read product code
3	2	Failed to read build code
3	3	Failed to read software revision
3	4	Failed to read serial number
3	5	Failed to read database version
3	6	Failed to read calibration info
4	1	Non-matching key file index
4	2	Key mis-match
4	3	Sensor mis-match
4	4	Extra data not supported on this product
4	5	Coin specification data not uploaded or incomplete
5	2	Failed to program coin window
5	3	Failed to write extra operations 1
5	4	Failed to write extra operations 2
5	6	Recharge counter expired
6	4	Failed to reset device

This manual is intended only to assist the reader in the use of this product and therefore Money Controls shall not be liable for any loss or damage whatsoever arising from the use of any information or particulars in, or any incorrect use of the product. Money Controls reserve the right to change product specifications on any item without prior notice